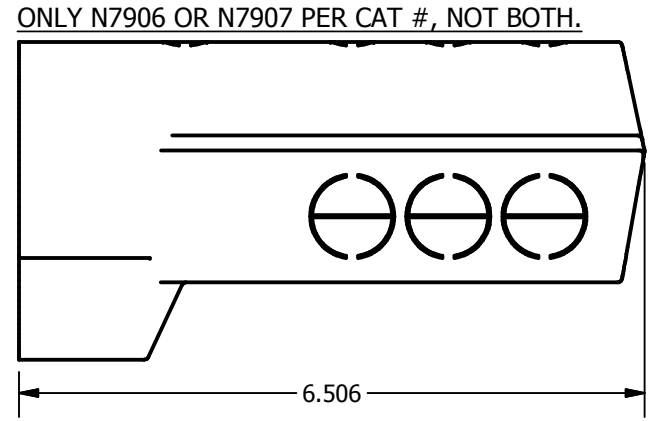
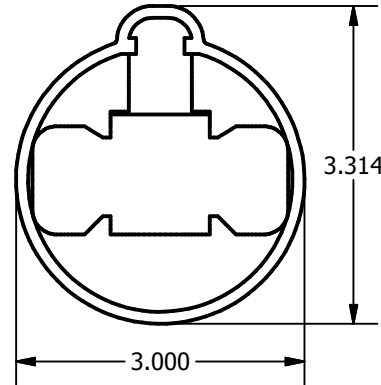
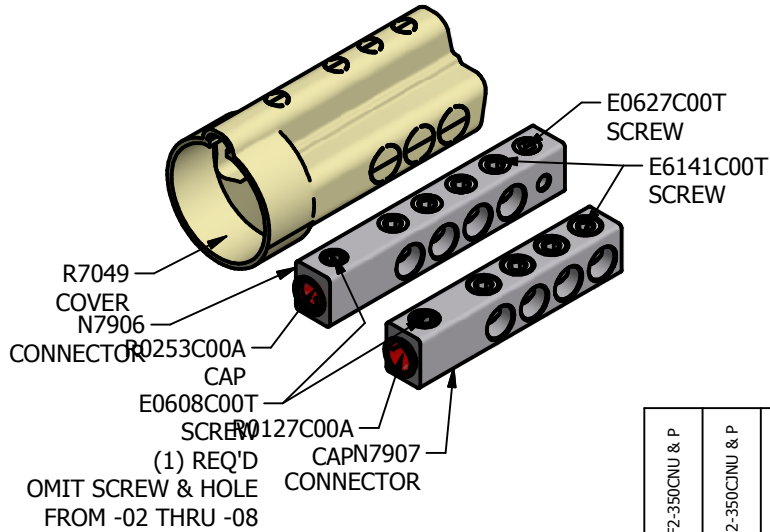


SCREW: SEE BELOW	MATERIAL: NONE	REV: K	ILSCO connections matter	
CAT. NO.: SEE PAGE 2	PLATING: NONE	DRAWN BY: JG	SCALE:	
INFORMATION SHEET:	MARKING: NONE	DATE: 9/13/2017	SIZE: A	
			800-776-9775 www.ilsco.com	
			DWG. NO. M7907	
			SHEET: 1 OF 1	



ONLY N7906 OR N7907 PER CAT #, NOT BOTH.

(1) REQ'D
OMIT SCREW & HOLE
FROM -02 THRU -08

PART #	DESCRIPTION	PARTS LIST																					
		PTF2-350CNU & P	PTF2-350CINU & P	PTF3-350CINU & P	PTF4-350CINUSL & P	PTF4-350CNU & P	PTF4-350CINU & P	PTF4-350CINUSLKP	PTF6-350CNU & P	PTF6-350CINU & P	PTF6-350CINUSLKP	PTF6-350CINUSL & P	PTF6-350CINUSLKP	PTF6-350CINUKPS	PTF6-350CINUSLKP	PTF6-350ISLK	PTF8-350CNU & P	PTF8-350CINU & P	PTF8-350CINUKP	PTF8-350CINUKPS	PTF8-350CINUSL & P	PTF8-350CINUSLKP	PTF8-350CINUSL & P
E0608C00T	SCREW 5/8-18 X .63 AL SKT .314	-	1	1	1	-	1	3	-	1	-	1	-	3	3	3	-	1	3	3	1	3	-
E0627C00T	SCREW 5/8-18 X .63 AL SKT .314	-	-	-	1	-	-	3	-	1	1	3	-	3	3	-	-	-	-	-	1	3	1
E6141C00T	SCREW 11/16-16X.937 AL HEX.316 TIN W	2	2	3	4	4	4	12	6	6	6	6	18	18	18	8	8	24	24	8	24	8	8
N7906C06W	BAR PTF6-350U SL	-	-	-	-	-	-	-	-	-	-	-	3	-	-	-	-	-	-	-	-	-	-
N7906C08W	BAR PTF8-350U SL	-	-	-	-	-	-	-	-	-	-	-	-	-	-	-	-	-	-	-	-	-	1
N7906C14W	BAR PTF4-350-JU SL D	-	-	-	1	-	-	3	-	-	1	-	-	-	-	-	-	-	-	-	-	-	-
N7906C16W	BAR PTF6-350-JU SL D	-	-	-	-	-	-	-	-	-	1	-	-	3	3	-	-	-	-	-	-	-	-
N7906C18W	BAR PTF8-350-CJU SL	-	-	-	-	-	-	-	-	-	-	-	-	-	-	-	-	-	-	-	1	3	-
N7907C02W	BAR PTF2-350	1	-	-	-	-	-	-	-	-	-	-	-	-	-	-	-	-	-	-	-	-	-
N7907C04W	BAR PTF4-350	-	-	-	-	1	-	-	-	-	-	-	-	-	-	-	-	-	-	-	-	-	-
N7907C06W	BAR PTF6-350	-	-	-	-	-	-	-	1	-	-	-	-	-	-	-	-	-	-	-	-	-	-
N7907C08W	BAR PTF8-350	-	-	-	-	-	-	-	-	-	-	-	-	-	-	1	-	-	-	-	-	-	-
N7907C12W	BAR PTF2-350 J	-	1	-	-	-	-	-	-	-	-	-	-	-	-	-	-	-	-	-	-	-	-
N7907C13W	BAR PTF3-350 J	-	-	1	-	-	-	-	-	-	-	-	-	-	-	-	-	-	-	-	-	-	-
N7907C14W	BAR PTF4-350 J	-	-	-	-	1	-	-	-	-	-	-	-	-	-	-	-	-	-	-	-	-	-
N7907C16W	BAR PTF6-350 J	-	-	-	-	-	-	-	-	1	-	-	-	3	-	-	-	-	-	-	-	-	-
N7907C18W	BAR PTF8-350 J	-	-	-	-	-	-	-	-	-	-	-	-	-	-	-	1	3	3	-	-	-	-
R0127C00A	PULL TAB PLUG, RED P-17	1	-	-	-	1	-	-	1	-	1	-	3	-	-	-	1	-	-	-	-	-	1
R0253C00A	PULL TAB PLUG, RED P-20	-	1	1	1	-	1	3	-	1	-	1	-	3	3	3	-	1	3	3	1	3	-
R7049C12A	PLASTISOL COVER	1	1	-	-	-	-	-	-	-	-	-	-	-	-	-	-	-	-	-	-	-	-
R7049C13A	PLASTISOL COVER	-	-	1	-	-	-	-	-	-	-	-	-	-	-	-	-	-	-	-	-	-	-
R7049C14A	PLASTISOL COVER	-	-	-	-	1	1	-	-	-	-	-	-	-	-	-	-	-	-	-	-	-	-
R7049C15A	PLASTISOL COVER	-	-	-	1	-	-	2	-	-	-	-	-	-	-	-	-	-	-	-	-	-	-
R7049C16A	PLASTISOL COVER	-	-	-	-	-	-	-	1	1	-	-	2	-	-	-	-	-	-	-	-	-	-
R7049C17A	PLASTISOL COVER	-	-	-	-	-	-	-	-	1	1	2	-	2	2	-	-	-	-	-	-	-	-
R7049C18A	PLASTISOL COVER	-	-	-	-	-	-	-	-	-	-	-	-	-	-	1	1	2	2	-	-	-	-
R7049C19A	PLASTISOL COVER	-	-	-	-	-	-	-	-	-	-	-	-	-	-	-	-	-	-	-	1	2	1
FORM 18	UTILCO MECH. CONN. TORQUE REQ.	1	1	1	-	1	1	1	1	1	1	1	1	1	1	1	1	1	1	1	1	1	-